



1425 Highland Avenue (Rt. 10) P.O. Box 728

Cheshire, CT 06410 - 1216 U.S.A.

Phone # 203 - 272 - 3234

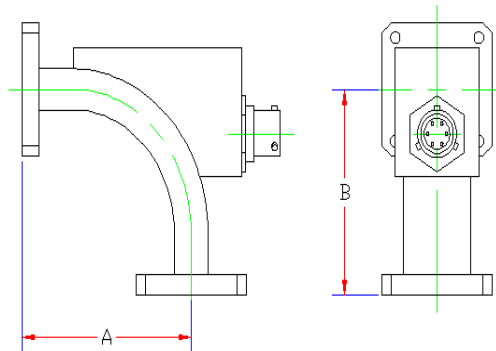
Fax # 203 - 271 - 0352

E - mail: Sales@microtech-inc.com

Visit our Web site: <http://www.microtech-inc.com>

WAVEGUIDE ARC DETECTORS SPECIFICATIONS

TYPICAL ELECTRICAL / MECHANICAL SPECIFICATIONS									
EIA WR SIZE	MODEL NO.	FREQUENCY RANGE (GHZ)	VSWR MAX.	INSERTION LOSS (DB)	PEAK POWER HANDLING (MIN)	FLANGE EQUIV.	MATERIAL	"A" DIMENSION (MAX. INCHES)	"B" DIMENSION (MAX. INCHES)
22	243209	33.00 - 50.00	1.15	<0.15	40KW	UG383/U	CU ALLOY	2.00	2.00
28	243210	26.50 - 40.00	1.15	<0.15	75KW	UG599/U	CU ALLOY	2.00	2.00
34	243211	22.00 - 33.00	1.15	<0.15	100KW	UG1530/U	CU ALLOY	2.00	2.00
42	243212	18.00 - 26.50	1.15	<0.15	150KW	UG596/U	CU ALLOY	2.00	2.00
51	243213	15.00 - 22.00	1.15	<0.15	200KW	WR 51	CU ALLOY	2.00	2.00
62	243214	12.40 - 18.00	1.15	<1.10	250KW	UG419/U	CU ALLOY	2.00	2.00
75	243215	10.00 - 15.00	1.10	<1.10	325KW	WR 75	CU ALLOY	2.00	2.00
90	243216	8.20 - 12.40	1.10	<1.10	350KW	UG39/U	CU ALLOY	2.00	2.00
102	243217	7.00 - 11.00	1.10	<1.10	400KW	UG1493/U	CU ALLOY	2.00	2.00
112	243218	7.05 - 10.00	1.10	<1.10	400KW	UG51/U	CU ALLOY	2.00	2.00
137	243219	5.85 - 8.20	1.10	<1.10	500KW	UG344/U	CU ALLOY	2.00	2.00
159	243220	4.90 - 7.05	1.10	<1.10	500KW	CPR159F	CU ALLOY	2.50	2.50
187	243221	3.95 - 5.85	1.10	<1.10	700KW	UG1498A/U	AL ALLOY	3.00	3.00
229	243222	3.30 - 4.90	1.10	<1.10	800KW	CPR229F	AL ALLOY	3.00	3.00
284	243223	2.60 - 3.95	1.05	<1.05	1.0MW	UG53	AL ALLOY	3.50	3.50
340	243224	2.20 - 3.30	1.05	<1.05	1.2MW	UG1713/U	AL ALLOY	3.50	3.50
430	243225	1.70 - 2.60	1.05	<1.05	1.5MW	UG1711/U	AL ALLOY	4.00	4.00
650	243226	1.12 - 1.70	1.05	<1.05	2.0MW	UG1714/U	AL ALLOY	6.00	6.00



Microtech Arc Detectors will provide a fault or fired output signal effecting a shut-down of the system prior to damage to your very expensive power source. Microtech has pioneered a method utilizing optics allowing arc detection in a straight waveguide unit when your system might not have space for a more traditional bend.

These detectors are available in waveguide sizes ranging from WR650 to WR22.

They are made available with numerous options. They can be ordered with a led check circuit and also a TTL output with or without a latching circuit. Many popular materials and flange configurations are also available. Consult the factory with your specific design needs. Adapters that conform to MIL-DTL-22641 are also available