



1425 Highland Avenue (Rt. 10) P.O. Box 728
 Cheshire, CT 06410 - 1216 U.S.A.
 Phone # 203 - 272 - 3234
 Fax # 203 - 271 - 0352

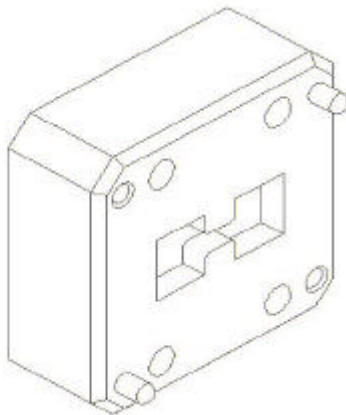
E - mail: Sales@microtech-inc.com

Visit our Web site: <http://www.microtech-inc.com>

DOUBLE-RIDGED PRESSURE WINDOW SPECIFICATIONS

TYPICAL ELECTRICAL / MECHANICAL SPECIFICATIONS									
MIL-W-23351/4	MODEL No.	FREQUENCY RANGE (GHz)	VSWR Max.	INS. LOSS (dB)	PEAK POWER (kW)	PSIG Max	FLANGE TYPE	FLANGE MATERIAL	OVERALL LENGTH
WRD-180	239862	18.00 - 40.00	1.20	0.20	3	45	Cover / Gasket	Alum.	0.375
WRD-750	239863	7.50 - 18.00	1.07	0.10	15	30	Cover / Gasket	Alum.	0.375
WRD-650	239864	6.50 - 18.00	1.10	0.12	12	30	Cover / Gasket	Alum.	0.375
WRD-580	239865	5.80 - 16.00	1.10	0.12	20	30	Cover / Gasket	Alum.	0.375
WRD-475	239866	4.75 - 11.00	1.07	0.05	40	30	Cover / Gasket	Alum.	0.375
WRD-350	239867	3.50 - 8.20	1.05	0.04	70	20	Cover / Gasket	Alum.	0.375
WRD-200	239868	2.00 - 4.80	1.03	0.03	200	15	Cover / Gasket	Alum.	0.375

Note: Other configurations and specifications are available upon request. Contact the factory with your requirement.
 Note : All Flanges will have clear holes.



Microtech's Pressure Windows are used where it is desirable to environmentally isolate a section of transmission line or component, to increase power-handling capacity, or to prevent corrosion in high ambient humidity or dusty conditions.