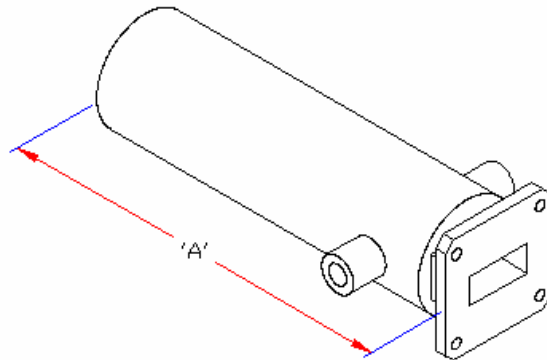


1425 Highland Avenue (Rt. 10) P.O. Box 728  
 Cheshire, CT 06410 - 1216 U.S.A.  
 Phone # 203 - 272 - 3234  
 Fax # 203 - 271 - 0352  
 E - mail [Sales@microtech-inc.com](mailto:Sales@microtech-inc.com)  
 Visit our Web site <http://www.microtech-inc.com>

## HIGH POWER WATER COOLED TERMINATION SPECIFICATIONS

EIA WR SIZE	MODEL No.	FREQUENCY RANGE (GHz)	VSWR Max.	FLANGE EQUIV.	AVG. POWER HANDLING (Max. Watts)	"A" DIMENSION Max inches
22	240265	33.00-50.00	1.10	Cover	250	6.00
28	240266	26.50-40.00	1.10	Cover	400	6.00
34	240267	22.00-33.00	1.10	Cover	500	6.00
42	240268	18.00-26.50	1.10	Cover	750	6.00
51	240269	15.00-22.00	1.10	Cover	750	6.00
62	240270	12.40-18.00	1.10	Cover	1000	6.00
75	240271	10.00-15.00	1.10	Cover	1000	7.00
90	240272	8.20-12.40	1.10	Cover	1500	7.00
112	240273	7.05-10.00	1.10	Cover	2000	8.00
137	240274	5.85-8.20	1.10	Cover	3000	9.00
159	240275	4.90-7.05	1.10	CPRF	3000	13.00
187	240276	3.95-5.85	1.10	Cover	4000	13.00
229	240277	3.30-4.90	1.10	CPRF	4000	18.00
284	240278	2.60-3.95	1.10	Cover	5000	18.00

Note: Other configurations, specifications, and power ratings available upon request as well as a large variety of lower and higher-power loads available to MIL-D-3954. Contact the factory with your requirements.



Microtech, Inc. High power water- cooled terminations are designed where a matched load is desired to terminate a waveguide transmission line in a dissipative, nonreflecting component. Add suffix to part number for material. A = Aluminum. B = Brass. Coolant input and output location and size, may vary.