



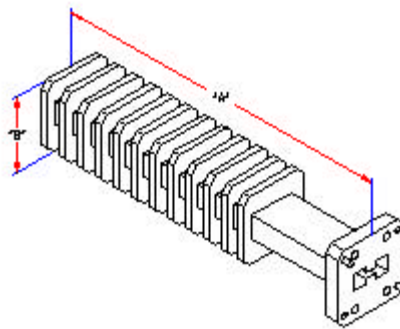
1425 Highland Avenue (Rt. 10) P.O. Box 728
 Cheshire, CT 06410 - 1216 U.S.A.
 Phone # 203 - 272 - 3234
 Fax # 203 - 271 - 0352

E - mail: Sales@microtech-inc.com

Visit our Web site: <http://www.microtech-inc.com>

DOUBLE RIDGED MEDIUM POWER TERMINATION SPECIFICATIONS

| TYPICAL ELECTRICAL / MECHANICAL SPECIFICATIONS | | | | | | | | |
|--|-----------|-----------------------|-----------|---------------|----------------------------------|----------|----------------------------|-----------------------------|
| EIA WRD SIZE | MODEL No. | FREQUENCY RANGE (GHz) | VSWR Max. | FLANGE EQUIV. | AVG. POWER HANDLING (Max. Watts) | Material | "A" DIMENSION (Max inches) | "B" DIMENSION (Max. inches) |
| 180 | 240123 | 18.0 – 40.0 | 1.10 | Cover | 200 | ALUM | 6.0 | 1.00 |
| 650 | 240134 | 6.5 – 18.0 | 1.10 | Cover | 500 | ALUM | 10.0 | 1.50 |
| 750 | 240125 | 7.5 – 18.0 | 1.10 | Cover | 500 | ALUM | 10.0 | 1.50 |
| 580 | 240126 | 5.8 – 16.0 | 1.10 | Cover | 600 | ALUM | 12.0 | 1.50 |
| 475 | 240127 | 4.75 – 11.0 | 1.10 | Cover | 600 | ALUM | 12.0 | 2.00 |
| 350 | 240128 | 3.5 – 8.2 | 1.07 | Cover | 1000 | ALUM | 15.0 | 3.00 |
| 200 | 240129 | 2.0 – 4.8 | 1.07 | Cover | 1500 | ALUM | 24.0 | 5.00 |



Microtech, Inc. medium power fixed terminations are designed where a matched load is desired to terminate a waveguide transmission line in a dissipative, nonreflecting component. These units require no additional cooling at the rated power level. The fins can be mounted vertically on the unit for optimum convection cooling when the unit is mounted vertically.

Note: Other configurations, specifications, and power ratings available upon request as well as a large variety of lower and higher-power loads available to MIL-D-3954. Contact the factory with your requirements.