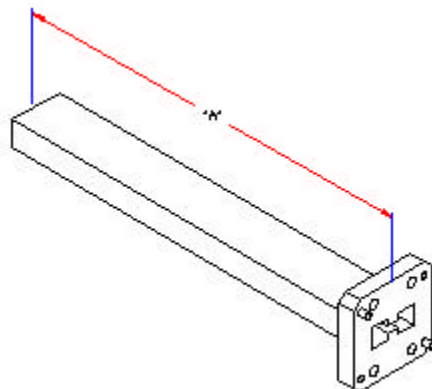




1425 Highland Avenue (Rt. 10) P.O. Box 728
 Cheshire, CT 06410 - 1216 U.S.A.
 Phone # 203 - 272 - 3234
 Fax # 203 - 271 - 0352
 E – mail: Sales@microtech-inc.com
 Visit our Web site: <http://www.microtech-inc.com>

DOUBLE RIDGED LOW POWER TERMINATION SPECIFICATIONS

TYPICAL ELECTRICAL / MECHANICAL SPECIFICATIONS							
EIA WRD SIZE	MODEL No.	FREQUENCY RANGE (GHz)	VSWR Max.	FLANGE EQUIV.	MATERIAL	AVG. POWER HANDLING (Max. Watts)	"A" DIMENSION (Max. Inches)
180	240116	18.0 – 40.0	1.05	Cover	Aluminum	0.5	6.0
650	240117	6.5 – 18.0	1.03	Cover	Aluminum	3.0	10.0
750	240118	7.5 – 18.0	1.03	Cover	Aluminum	3.0	10.0
580	240119	5.8 – 16.0	1.03	Cover	Aluminum	3.0	12.0
475	240120	4.75 – 11.0	1.03	Cover	Aluminum	3.0	12.0
350	240121	3.5 – 8.2	1.02	Cover	Aluminum	6.0	15.0
200	240122	2.0 – 4.8	1.02	Cover	Aluminum	10.0	24.0



Note: Other configurations, specifications, and power ratings available upon request as well as a large variety of high-power loads available to MIL-D-3954. Contact the factory with your requirements.

Microtech, Inc. low power fixed terminations are designed where a matched load is desired to terminate a waveguide transmission line in a dissipative, nonreflecting component. Also used as standard matched load for the termination of waveguide components.