

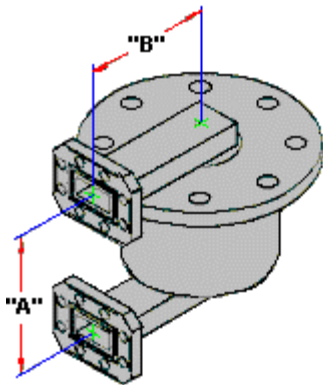


1425 Highland Avenue (Rt. 10) P.O. Box 728  
 Cheshire, CT 06410 - 1216 U.S.A.  
 Phone # 203 - 272 - 3234  
 Fax # 203 - 271 - 0352  
 E - mail: [Sales@microtech-inc.com](mailto:Sales@microtech-inc.com)  
 Visit our Web site: <http://www.microtech-inc.com>

## “U” STYLE ROTARY JOINT SPECIFICATIONS

TYPICAL ELECTRICAL / MECHANICAL SPECIFICATIONS								
EIA WR SIZE	MODEL No.	FREQUENCY RANGE (GHz)	VSWR Maximum	INSERTION LOSS Maximum	FLANGE EQUIV.	MATERIAL	"A" DIMENSION	"B" DIMENSION
22	233668	33.00 - 50.00	2.00	1.00	Cover	Brass	1.50	2.00
28	233669	26.50 - 40.00	2.00	1.00	Cover	Brass	1.50	2.00
42	233670	18.00 - 26.50	1.80	0.75	Cover	Brass	2.00	2.00
62	233671	12.40 - 18.00	1.60	0.50	Cover	Brass	2.00	2.00
75	233672	10.00 - 15.00	1.60	0.50	Cover	Brass	1.60	2.13
90	233673	8.20 - 12.40	1.50	0.40	Cover	Brass	2.00	3.00
112	233674	7.05 - 10.00	1.50	0.40	Cover	Brass	2.88	4.00
137	233675	5.85 - 8.20	1.50	0.40	CPRG	Brass	2.88	3.00
159	233676	4.90 - 7.05	1.50	0.40	CPRG	Brass	4.00	4.00
187	233677	3.95 - 5.85	1.50	0.40	CPRF	Brass	4.13	3.50
229	233678	3.30 - 4.90	1.50	0.40	CPRG	Brass	5.00	4.00
284	233679	2.60 - 3.95	1.50	0.40	CPRF	Brass	7.00	4.00
340	233680	2.20 - 3.30	1.50	0.40	CPRF	Brass	7.00	5.00

Notes: Maximum VSWR WOW = .10 typical. Maximum Insertion Loss WOW = .10 dB typical. Improved VSWR values can be obtained over a reduced portion of the band.



Designed for long life under extreme operating conditions, Microtech, Inc. rotary joints feature rugged construction, minimum phase WOW, stable phase linearity and designs that lend themselves to high power applications, all at a reasonable cost. If you need a special configuration or a multi-channel rotary joint just contact the factory or our area representative with your requirements. Our complete in-house engineering and production facility is at your disposal.