



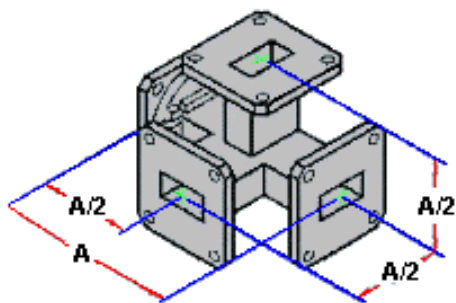
1425 Highland Avenue (Rt. 10) P.O. Box 728  
 Cheshire, CT 06410 - 1216 U.S.A.  
 Phone # 203 - 272 - 3234  
 Fax # 203 - 271 - 0352

E - mail: [Sales@microtech-inc.com](mailto:Sales@microtech-inc.com)

Visit our Web site: <http://www.microtech-inc.com>

## MAGIC TEE SPECIFICATIONS

<b>TYPICAL ELECTRICAL / MECHANICAL SPECIFICATIONS</b>						
EIA WR SIZE	MODEL No.	FREQUENCY RANGE (GHz)	FLANGE EQUIVALENT	MATERIAL	MAXIMUM UNBALANCED dB	A DIMENSION (Max. Inches)
28	219786	34.00 - 37.00 *	Cover	Brass	0.25	2.25
34	239892	24.00 - 26.00 *	Cover	Brass	0.25	2.25
42	219787	20.00 - 23.00 *	Cover	Brass	0.25	2.25
51	235013	18.50 - 20.50 *	Cover	Brass	0.25	2.50
62	219788	14.00 - 15.00 *	Cover	Brass	0.20	2.50
75	219789	13.50 - 14.50 *	Cover	Brass	0.15	3.00
90	219790	9.00 - 10.00 *	Cover	Brass	0.10	3.00
112	219791	7.90 - 8.40 *	Cover	Brass	0.10	4.00
137	219792	5.90 - 6.40 *	CPRF	Brass	0.10	5.00
159	219793	5.90 - 6.40 *	CPRF	Brass	0.10	5.00
187	219794	4.40 - 5.00 *	CPRF	Brass	0.10	5.00
229	219795	3.70 - 4.20 *	CPRF	Brass	0.10	6.00
284	219796	2.90 - 3.20 *	CPRF	Brass	0.10	8.00



### GENERAL SPECIFICATIONS

- ◆ VSWR : H-Arm, 1.30; E-Arm 1.50
- ◆ ISOLATION : H & E Arms, 30 dB  
Co-linear Arms, 16 dB.

\*Electrical Specifications are for 20% of the Specified Frequency Range. Contact factory for any other Frequency Range requests.

Microtech, Inc. offers a full line of standard and special application Magic Tees. Designed to be used for power division as well as for combining and antenna subsystems, they can meet your impedance bridging, balanced mixer and duplexer needs as well. The copper alloy waveguide construction and exacting specification compliance result in long and economical service life.